



MONOGRAM

**Built-In** Kitchen Appliances



# TABLE OF CONTENTS

**About us** **Page 8**

**Ovens** **Page 12**

**Compact Appliances** **Page 26**

Compact Ovens Page 30

Microwaves Page 38

**Coffee Machines** **Page 40**

Built-in Coffee Machines Page 44

Countertop Coffee Machines Page 48

**Warming Drawers** **Page 50**

**Range Hoods** **Page 56**

**Hobs** **Page 64**

Gas Cooktops Page 68

Electric Cooktops Page 78

**Refrigerators** **Page 82**

Side-By-Side Refrigerators Page 86

Combi Refrigerators Page 88

Built-in Fridges Page 90

Built-in Freezers Page 94

Undercounter Refrigerators Page 98

**Wine Coolers** **Page 100**

**Dishwashers** **Page 108**

**Washing Machines** **Page 114**

**Kitchen Sinks** **Page 120**

**Kitchen Faucets** **Page 134**

**Installation Drawings** **Page 146**





At Monogram, excellence is more than a standard - it's a principle we live by. Our products are certified under rigorous international regulations including CE, RoHS, and ISO 9001, reflecting our deep commitment to quality, safety, and sustainability.

Each certification is a seal of trust, ensuring that every appliance you choose meets the highest European standards. Our dedication to design and innovation has also been recognized globally, with prestigious awards such as the iF Design Award and Red Dot Award, honoring the elegance and intelligence behind our built-in solutions.



Products Certified with:



EMC Compliance

RoHS



## ABOUT MONOGRAM

At Monogram, we believe luxury should be effortless-beautiful in design, exceptional in performance, and thoughtful in craftsmanship. Our journey begins long before an appliance takes shape; it starts with a dedication to quality, sustainability, and innovation, ensuring every detail enhances the way you live.

Built on three enduring principles—Materials, Performance, and Efficiency—our collections are designed to last. We select only the finest materials, engineered for both elegance and endurance. Our appliances perform seamlessly, blending intuitive technology with timeless design. And because we care for the future, efficiency is at the heart of every creation, reducing waste without compromising excellence. But a Monogram appliance is more than a product; it's an experience. From the quiet hum of a perfectly calibrated dishwasher to the precision of an induction cooktop, we engage all the senses in daily moments that matter. And should you ever need assistance, our certified technicians provide first-class care, ensuring your appliance remains in impeccable condition for years to come.

Monogram is more than a brand—it's a promise. A promise of craftsmanship that endures, in novation that inspires, and service you can trust. Because true luxury isn't just owned; it's lived.



## OWNERSHIP

One of the most important functions that we do in Monogram companies is to make our appliance ownership to an enjoyable experience. For those times when you need service, our certified technicians will be at your front door to ensure your appliance receives first-class maintenance. In fact, every service project is overseen by a Monogram Service Agent who is dedicated to your project from start to finish to ensure that all work is completed to our standards, and yours. So with Monograms after-sales service, you will never have to worry about anything, because we will always be there for you.



## — Smart Efficiency

Monogram appliances are designed to perform with effortless precision—powerful yet unobtrusive, so they harmonise with your home, not compete with it. Advanced insulation, whisper-quiet motors, and intelligent sound-dampening systems ensure that even at peak performance, they remain a quiet presence in your daily rhythm. Run a wash cycle overnight, host a dinner party with the oven fan at full bore, or let the fridge hum discreetly in the background: every component is engineered to work harder, not louder. Because true efficiency isn't just measured in energy—it's measured in peace of mind.

## — Silent Power

Silence speaks volumes. Every Monogram appliance delivers the same uninterrupted excellence trusted by professional kitchens worldwide, without the clamour. Rigorously tested to endure beyond expectations, our products don't just meet standards; they redefine them. But we don't simply tell you—we show you. Through live demonstrations, immersive events, and collaborations with Michelin-starred chefs, we let the quiet reliability of Monogram take centre stage. Because when your appliances perform this seamlessly, the only thing left to hear is the joy of a home in perfect flow.

It's a washing machine spinning at full speed or an oven fan at its busiest, you'll hardly notice they're on. That's the beauty of smart design: power that's strong, smooth, and silent.

## — PERFORMANCE

Every Monogram appliance provides the same experience in your kitchen as it does with international chefs. Through rigorous testing, we learn the limits of our products and make them to last well beyond. Well trained employees in our central office inform consumers and sales agents through demonstrations on our actual products with educational clips and videos, also at events across the world, we let our appliances speak for themselves as celebrity chefs create real meals for our guests and visitors.





OVENS

# OVENS

Designed with refined European engineering, Monogram built-in ovens combine elegant design with reliable, high-performance functionality. They feature innovations like Air Fry for healthier cooking, Pyrolytic Self-Cleaning for low-maintenance hygiene, and Eco Mode for energy-efficient operation. A TFT touch display, soft-close doors, and Child Lock enhance both safety and convenience, while Capacity+ offers additional room for multitasking and larger meals. From delicate pastries to robust roasts, Monogram ovens ensure even heat distribution and precise temperature control—for perfect results every time.



## CONTROL RING

Navigate settings easily with a smooth-turning ring that offers precise, intuitive control.



## ECO MODE

This energy-saving mode optimizes power consumption during operation without compromising performance, making it ideal for everyday use with lower environmental impact.



## CONVECTION

A built-in fan circulates hot air evenly throughout the oven cavity, ensuring faster, more consistent cooking results across all trays.



## LED DISPLAY

The clear and modern LED display provides real-time feedback, easy navigation between functions, and improved visibility in all lighting conditions.



## CLOCK/TIMER

An integrated digital clock and programmable timer allow you to schedule cooking times precisely, giving you full control and peace of mind during every recipe.

# INNOVATIONS



## SOFT CLOSE

Special hinge design ensures the oven door closes smoothly and silently, adding comfort and safety.



## REMOVABLE INNER GLASS

Designed for maximum convenience, the inner panel of the oven door can be easily removed without tools, allowing thorough cleaning of all glass surfaces.



## AIR FRY

Hot air circulation fries food with little to no oil, creating a crispy texture that is both healthy and tasty.



## SELF CLEANING

A high-temperature cleaning cycle that burns off residues and grease inside the oven cavity, requiring minimal manual cleaning.



## CAPACITY +

Maximized interior volume to accommodate larger dishes, ideal for family-sized meals and multitasking.



## CHILD LOCK

A safety feature that prevents unintended use or operation by locking the oven's controls.



## TFT DISPLAY

High-resolution display offering intuitive navigation, clear visuals, and enhanced user interaction.



## TOUCH CONTROL

Intuitive touch control panel offers seamless operation, precise settings, and a sleek, modern interface.

Oven **MGBO 7315 X GE PRO**

Product Dimensions (HxWxD)	596 x 595 x 546 mm
Installation Dimensions (HxWxD)	595 x 560 x 550 mm
Control Panel Height:	96 mm
Installation Type:	Built-in
Type:	Multi Function Electric
Cavity:	81 L
Voltage:	220 - 240 V
Energy Efficiency Class:	A+
Door Glass:	Triple

Performance:	19 different cooking functions Conventional + Fan / Top Element / Top Grilling / ECO Double Grill / Grill + Fan / Convection Mode + Steam Bake / Air Fry / Pizza / Delicate Cooking / Multi Cooking Defrost / Yogurt / Fermentation / Disinfection Keep Warm / Warm Dish / Cleaning Function / Descaling
--------------	---

Accessories:	1 x Grill Rack / 2 x Grill tray / 1 x Air Fry Basket 2 x Slide rail / 1 x Multipoint Meat Probe
--------------	--



## Oven MGBO 7213 X GE PRO



<b>Product Dimensions (HxWxD)</b>	596 x 595 x 546 mm
<b>Installation Dimensions (HxWxD)</b>	595 x 560 x 550 mm
<b>Control Panel Height:</b>	96 mm
<b>Installation Type:</b>	Built-in
<b>Type:</b>	Multi Function Electric
<b>Cavity:</b>	75 L
<b>Voltage:</b>	220 – 240 V
<b>Energy Efficiency Class:</b>	A+
<b>Door Glass:</b>	Triple

<b>Performance:</b>	31 Auto recipes
	10 Airfry Auto Menu
	12 Heating Methods
	Conventional / Convection / Conventional+Fan
	Single Grill / Double Grill+Fan / Double Grill / Pizza
	Bottom Heating / Defrost / Eco / Fermentation / clean
<b>Accessories:</b>	1 x Grill Rack / 2 x Grill tray / 1 x Air Fry Basket
	2 x Slide rail / 1 x Multipoint Meat Probe

## Oven MGBO 7577 X GE PRO



<b>Product Dimensions (HxWxD)</b>	596 x 595 x 546 mm
<b>Installation Dimensions (HxWxD)</b>	595 x 560 x 550 mm
<b>Control Panel Height:</b>	96 mm
<b>Installation Type:</b>	Built-in
<b>Type:</b>	Multi Function Electric
<b>Cavity:</b>	75 L
<b>Voltage:</b>	220 – 240 V
<b>Energy Efficiency Class:</b>	A+
<b>Door Glass:</b>	Triple

<b>Performance:</b>	10 Airfry Auto Menu
	13 Heating Methods
	Conventional Heat / Hot Air Grilling / Full Width Grill
	Half Width Grill / Pizza Setting / Bottom Heat / Eco
	Low Temperature Cooking / Defrost / Keep Warm
	Preheating / Hot Air Gentle / Active Heat
<b>Accessories:</b>	1 x Grill Rack / 2 x Grill tray / 1 x Air Fry Basket
	2 x Slide rail / 1 x Multipoint Meat Probe

Oven **MGBO 7222 X GE PRO**

<b>Product Dimensions (HxWxD)</b>	596 x 595 x 546 mm
<b>Installation Dimensions (HxWxD)</b>	595 x 560 x 550 mm
<b>Control Panel Height:</b>	96 mm
<b>Installation Type:</b>	Built-in
<b>Type:</b>	Multi Function Electric
<b>Cavity:</b>	72 L
<b>Voltage:</b>	220 – 240 V
<b>Energy Efficiency Class:</b>	A+
<b>Door Glass:</b>	Triple

<b>Performance:</b>	37 Typical recipes
	8 Eco Cooking Programs
	10 Heating Methods
	Conventional / Convection / Conventional+Fan
	Radiant Heat / Double Grill+Fan / Double Grill / Pizza
	Bottom Heating / Defrost / Eco

<b>Accessories:</b>	1 x Grill Rack / 1 x Grill tray / 2 x Slide rail
	1 x Multipoint Meat Probe

Oven **MGBO 7511 X GE PRO**

<b>Product Dimensions (HxWxD)</b>	596 x 595 x 546 mm
<b>Installation Dimensions (HxWxD)</b>	595 x 560 x 550 mm
<b>Control Panel Height:</b>	96 mm
<b>Installation Type:</b>	Built-in
<b>Type:</b>	Multi Function Electric
<b>Cavity:</b>	72 L
<b>Voltage:</b>	220 – 240 V
<b>Energy Efficiency Class:</b>	A+
<b>Door Glass:</b>	Triple

<b>Performance:</b>	10 Auto Programs
	21 Auto Menu
	13 Heating Methods
	Conventional / Conventional+Fan / Conventional Eco
	Bottom Heating / Top Heat / Small Grill / Large Grill
	Large Grill+Fan / Grill+Fan / Convection / Convection
	Eco / Bottom Heater+Fan / Defrost

<b>Accessories:</b>	1 x Grill Rack / 2 x Grill tray / 2 x Slide rail
---------------------	--

## Oven MGBO 7315 X GE



<b>Product Dimensions (HxWxD)</b>	595 x 594 x 548 mm
<b>Installation Dimensions (HxWxD)</b>	585*595 x 560*568 x 550 mm
<b>Control Panel Height:</b>	96 mm
<b>Installation Type:</b>	Built-in
<b>Type:</b>	Multi Function Electric
<b>Cavity:</b>	72 L
<b>Voltage:</b>	220 – 240 V
<b>Energy Efficiency Class:</b>	A+
<b>Door Glass:</b>	Double

<b>Performance:</b>	13 Heating Methods Conventional Heat / Hot Air Grilling / Full Width Grill / Half Width Grill / Pizza Setting / Bottom Heat / Low Temperature Cooking / Defrost / Keep Warm / Preheating / Hot Air Gentle / Eco / Active Heat
---------------------	--

<b>Accessories:</b>	1 x Grill Rack / 2 x Grill tray / 2 x Slide rail 1 x Multipoint Meat Probe
---------------------	---

## Oven MGBO 7555 B GE



<b>Product Dimensions (HxWxD)</b>	596 x 595 x 546 mm
<b>Installation Dimensions (HxWxD)</b>	595 x 560 x 550 mm
<b>Depth With Door Open (D)</b>	1040 mm
<b>Installation Type:</b>	Built-in
<b>Type:</b>	Multi Function Electric
<b>Cavity:</b>	72 L
<b>Voltage:</b>	220 – 240 V
<b>Energy Efficiency Class:</b>	A+
<b>Door Glass:</b>	Triple

<b>Performance:</b>	11 Heating Methods Conventional Heat / Hot Air Grilling / Full Width Grill / Half Width Grill / Pizza Setting / Bottom Heat / Low Temperature Cooking / Defrost / Keep Warm / Preheating / Hot Air Gentle
---------------------	--

<b>Accessories:</b>	1 x Grill Rack / 2 x Grill tray
---------------------	---------------------------------

## Oven MGBO 7222 X GE



Product Dimensions (HxWxD)	596 x 595 x 546 mm
Installation Dimensions (HxWxD)	595 x 560 x 550 mm
Control Panel Height:	96 mm
Installation Type:	Built-in
Type:	Multi Function Electric
Cavity:	70 L
Voltage:	220 – 240 V
Energy Efficiency Class:	A+
Door Glass:	Double

Performance:	8 Heating Methods Conventional Heat / Hot Air Grilling / Full Width Grill Half Width Grill / Pizza Setting / Bottom Heat Low Temperature Cooking / Preheating
--------------	--

Accessories:	1 x Grill Rack / 2 x Grill tray / 2 x Slide rail
--------------	--



# COMPACT APPLIANCES



# COMPACT APPLIANCES

Designed for modern kitchens, Monogram compact appliances deliver full functionality in a space-saving form. Combining microwave, grill, and convection options, they offer flexible cooking with features like Air Fry, Eco Mode, and Pyrolytic Cleaning. The TFT touch display, Control Ring, and LED indicators ensure easy use, while Soft Close doors, Child Lock, and Capacity+ add safety and comfort. Compact in size, complete in performance—they're ideal for everyday use and precision cooking alike.



## CONTROL RING

Navigate settings easily with a smooth-turning ring that offers precise, intuitive control.



## ECO MODE

This energy-saving mode optimizes power consumption during operation without compromising performance, making it ideal for everyday use with lower environmental impact.



## CONVECTION

A built-in fan circulates hot air evenly throughout the compact cavity, ensuring faster, more consistent cooking results across all trays.



## LED DISPLAY

The clear and modern LED display provides real-time feedback, easy navigation between functions, and improved visibility in all lighting conditions.



## CLOCK/TIMER

An integrated digital clock and programmable timer allow you to schedule cooking times precisely, giving you full control and peace of mind during every recipe.

# INNOVATIONS



## SOFT CLOSE

Special hinge design ensures the compact door closes smoothly and silently, adding comfort and safety.



## REMOVABLE INNER GLASS

Designed for maximum convenience, the inner panel of the compact door can be easily removed without tools, allowing thorough cleaning of all glass surfaces.



## AIR FRY

Hot air circulation fries food with little to no oil, creating a crispy texture that is both healthy and tasty.



## SELF CLEANING

A high-temperature cleaning cycle that burns off residues and grease inside the compact cavity, requiring minimal manual cleaning.



## CAPACITY +

Maximized interior volume to accommodate larger dishes, ideal for family-sized meals and multitasking.



## CHILD LOCK

A safety feature that prevents unintended use or operation by locking the oven's controls.



## TFT DISPLAY

High-resolution display offering intuitive navigation, clear visuals, and enhanced user interaction.



## TOUCH CONTROL

Intuitive touch control panel offers seamless operation, precise settings, and a sleek, modern interface.

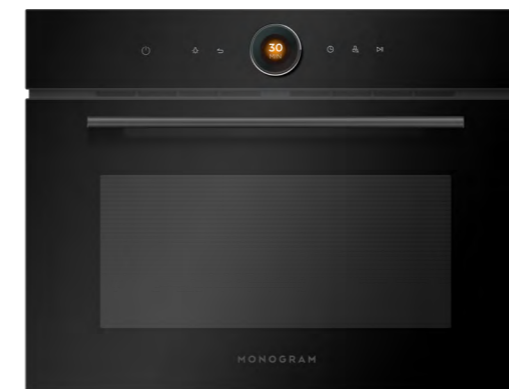
## Compact MGBM 4512 X GE PRO



<b>Product Dimensions (HxWxD)</b>	596 x 595 x 546 mm
<b>Installation Dimensions (HxWxD)</b>	595 x 560 x 550 mm
<b>Control Panel Height:</b>	96 mm
<b>Installation Type:</b>	Built-in
<b>Type:</b>	Multi Function Electric
<b>Cavity:</b>	55 L
<b>Voltage:</b>	220 – 240 V
<b>Energy Efficiency Class:</b>	A+
<b>Door Glass:</b>	Triple

<b>Performance:</b>	8 Professional Steam functions
	Microwave / Top Grilling / Convection / Defrost
	Microwave + Top Grilling / Microwave + Convection
	Top Grilling + Convection / Microwave + Top Grilling + Convection
<b>Accessories:</b>	1 x Combination Grids / 1 x Universal Pan / 1 x Glass Pan

## Compact MGBM 5077 X GE



<b>Product Dimensions (HxWxD)</b>	454 x 595 x 540 mm
<b>Installation Dimensions (HxWxD)</b>	450*455 x 560*568 x 550 mm
<b>Control Panel Height:</b>	92 mm
<b>Type:</b>	Multi Function Electric
<b>Cavity:</b>	50 L
<b>Voltage:</b>	220 – 240 V
<b>Energy Efficiency Class:</b>	A+
<b>Door Glass:</b>	Triple

<b>Performance:</b>	13 Auto Menu
	14 Heating Methods
	Conventional Heat / Hot Air Grilling / Full Width Grill
	Half Width Grill / Pizza Setting / Bottom Heat / Defrost
	Low Temperature Cooking / Keep Warm / Preheating
	Hot Air Gentle / Conventional Heat Gentle / Active Heat
	Eco
<b>Accessories:</b>	1 x Grill Rack / 1 x Grill tray / 1 x Glass Pan

## Compact MGBM 4433 X GE PRO



<b>Product Dimensions (HxWxD)</b>	454 x 595 x 540 mm mm
<b>Installation Dimensions (HxWxD)</b>	450*455 x 560*568 x 550 mm
<b>Control Panel Height:</b>	92 mm
<b>Installation Type:</b>	Built-in
<b>Type:</b>	Multi Function Electric
<b>Cavity:</b>	50 L
<b>Voltage:</b>	220 - 240 V
<b>Energy Efficiency Class:</b>	A+
<b>Door Glass:</b>	Triple

<b>Performance:</b>	13 Auto Recipes
	9 Cooking Program
	10 Heating Methods
	Bottom Heating / Conventional Heat / Hotair Gentle
	Conventional Heat Gentle / Microwave + Hotair Grill
	Grill, Small Area / Hotair Grill / Preheating / Microwave
	Grill, Large Area

<b>Accessories:</b>	1 x Grill Rack / 1 x Grill tray / 1 x Glass Pan
---------------------	---

## Compact MGBM 5006 X GE PRO



<b>Product Dimensions (HxWxD)</b>	454 x 595 x 540 mm
<b>Installation Dimensions (HxWxD)</b>	450*455 x 560*568 x 550 mm
<b>Control Panel Height:</b>	92 mm
<b>Installation Type:</b>	Built-in
<b>Type:</b>	Multi Function Electric
<b>Cavity:</b>	50 L
<b>Voltage:</b>	220 - 240 V
<b>Energy Efficiency Class:</b>	A+
<b>Door Glass:</b>	Triple

<b>Performance:</b>	13 Auto Recipes
	9 Cooking Program
	10 Heating Methods
	Bottom Heating / Conventional Heat / Hotair Gentle
	Conventional Heat Gentle / Microwave + Hotair Grill
	Grill, Small Area / Hotair Grill / Preheating / Microwave
	Grill, Large Area

<b>Accessories:</b>	1 x Grill Rack / 1 x Grill tray / 1 x Glass Pan
---------------------	---

## Compact MGBM 2211 X GE



<b>Product Dimensions (HxWxD)</b>	454 x 595 x 540 mm	<b>Performance:</b>	13 Auto Menu
<b>Installation Dimensions (HxWxD)</b>	450*455 x 560**568 x 550 mm		3 Defrost-program
<b>Control Panel Height:</b>	92 mm		11 Heating Methods
<b>Installation Type:</b>	Built-in		Bottom Heating / Hotair Gentle / Hotair Grill / Preheating
<b>Type:</b>	Multi Function Electric		Conventional Heat / Grill, Large Area / Grill, Small Area
<b>Cavity:</b>	44 L		Conventional Heat Gentle / Microwave + Conventional Heat
<b>Voltage:</b>	220 - 240 V		Microwave / Microwave + Hotair Grill
<b>Energy Efficiency Class:</b>	A+	<b>Accessories:</b>	1 x Grill Rack / 1 x Grill tray / 1 x Glass Pan
<b>Door Glass:</b>	Triple		

## Compact MGBM 4411 X GE PRO



<b>Product Dimensions (HxWxD)</b>	454 x 595 x 540 mm	<b>Performance:</b>	Dual Air Flow Cooling System
<b>Installation Dimensions (HxWxD)</b>	450*455 x 560*568 x 550 mm		12 Cooking Program
<b>Control Panel Height:</b>	92 mm		10 Heating Methods
<b>Installation Type:</b>	Built-in		Bottom Heating / Conventional Heat / Hotair Gentle
<b>Type:</b>	Multi Function Electric Built-In		Conventional Heat Gentle / Microwave + Hotair Grill
<b>Cavity:</b>	Compact Oven		Grill, Small Area / Hotair Grill / Preheating / Microwave
<b>Voltage:</b>	50 L		Grill, Large Area
<b>Energy Efficiency Class:</b>	220 - 240 V	<b>Accessories:</b>	1 x Grill Rack / 1 x Grill tray / 1 x Glass Pan
<b>Door Glass:</b>	A+ Triple		

## Compact MGBM 5006 B GE



<b>Product Dimensions (HxWxD)</b>	455 x 594 x 548 mm
<b>Installation Dimensions (HxWxD)</b>	450*455 x 560*568 x 550 mm
<b>Control Panel Height:</b>	92 mm
<b>Installation Type:</b>	Built-in
<b>Type:</b>	Multi Function Electric
<b>Cavity:</b>	50 L
<b>Voltage:</b>	220 - 240 V
<b>Energy Efficiency Class:</b>	A+
<b>Door Glass:</b>	Triple

<b>Performance:</b>	13 Cooking Program
	3 Defrost-program
	10 Heating Methods
	Bottom Heating / Conventional Heat / Hotair Gentle
	Conventional Heat Gentle / Microwave + Hotair Grill
	Grill, Small Area / Hotair Grill / Preheating / Microwave
	Grill, Large Area

<b>Accessories:</b>	1 x Grill Rack / 1 x Grill tray / 1 x Glass Pan
---------------------	---



## Microwave MGBM 4512 X GE



<b>Product Dimensions (HxWxD)</b>	455 x 594 x 548 mm
<b>Installation Dimensions (HxWxD)</b>	450*455 x 560*568 x 550 mm
<b>Control Panel Height:</b>	92 mm
<b>Installation Type:</b>	Built-in
<b>Type:</b>	Multi Function Electric
<b>Cavity:</b>	38 L
<b>Voltage:</b>	220 - 240 V
<b>Energy Efficiency Class:</b>	A+
<b>Door Glass:</b>	Double

<b>Output (Microwave):</b>	1000 W
<b>Output (grill):</b>	Max 1650 W
<b>Output (Convection):</b>	Max 1500 W
<b>Performance:</b>	8 Heating Methods Microwave / Convection / Microwave + Convection Microwave + Grill + Convection / Grill + Convection Microwave Grill / Grill / Defrost
<b>Accessories:</b>	1 x Grill Rack / 1 x Grill tray / 1 x Swivel Subassembly 1 x Turntable / 1 x Drive shaft

## Microwave MGBM 2808 X GE



<b>Product Dimensions (HxWxD)</b>	455 x 594 x 548 mm
<b>Installation Dimensions (HxWxD)</b>	450 - 455*560*568 x 550 mm
<b>Installation Type:</b>	Built-in
<b>Type:</b>	Electric
<b>Cavity:</b>	26 L
<b>Voltage:</b>	220 - 240 V
<b>Energy Efficiency Class:</b>	A+
<b>Output (Microwave):</b>	90, 180, 360, 600, 900 W

<b>Performance:</b>	6 Heating Methods Grill / Microwave / Microwave + Grill / Defrost Step-by-Step Preparation / Automatic Cooking
<b>Accessories:</b>	1 x Grill Rack / 1 x Swivel Subassembly / 1 x Turntable 1 x Drive shaft

# COFFEE MACHINES



# COFFEE MACHINES

Monogram coffee machines combine elegant design with advanced functionality, available in both built-in and countertop models to suit any kitchen style. With intuitive one-touch operation, a built-in grinder for fresh beans, and a milk frothing system for creamy lattes and cappuccinos, they offer a complete café experience at home. Users can customize every cup with features like aroma intensity control, adjustable cup size and height, and programmable drink settings. A sleek TFT touch display and control ring make navigation smooth and stylish, while auto-cleaning programs ensure effortless maintenance. Whether you enjoy a bold espresso or a smooth milk-based drink, Monogram coffee machines bring professional-level taste and comfort to your daily routine.

## INNOVATIONS



### TOUCH CONTROL

Intuitive touch control panel offers seamless operation, precise settings, and a sleek, modern interface.



### MILK FROTHING SYSTEM

Create smooth, creamy foam automatically for perfect lattes and cappuccinos.



### AROMA INTENSITY CONTROL

Choose your preferred coffee strength with selectable aroma intensity settings.



### SELF CLEANING

Automatic self-cleaning system rinses the brewing unit after each use, ensuring optimal hygiene and preserving coffee flavor with minimal effort.



### BUILT-IN GRINDER

Freshly grind coffee beans with adjustable settings for customized strength and flavor.



### ADJUSTABLE CUP SIZE & HEIGHT

Easily adapt to any cup or mug with adjustable height and programmable volume.



### TFT DISPLAY

High-resolution display offering intuitive navigation, clear visuals, and enhanced user interaction.



### LED DISPLAY

The clear and modern LED display provides real-time feedback, easy navigation between functions, and improved visibility in all lighting conditions.

Coffee Machine **MGBC 0226 X GE PRO**

<b>Product Dimensions (HxWxD)</b>	455 x 594 x 450 mm
<b>Installation Dimensions (HxWxD)</b>	450 x 560 x 420 mm
<b>Type:</b>	Fully Automatic
<b>Capacity Water Container:</b>	1.8 L
<b>Voltage:</b>	220 – 240 V
<b>Energy Efficiency Class:</b>	A+
<b>Bean Tank Capacity:</b>	250 G
<b>Water Pump Pressure:</b>	19 Bar
<b>Custom Brew Option:</b>	Yes

<b>Coffee Functions:</b>	5 Automatic Preset Beverages 12 Customizable drinks Manually Espresso / Americano / Lungo / Cappuccino / Latte
--------------------------	--

<b>Cleaning Functions:</b>	Automatic Cleaning & Descaling Indicators
----------------------------	---

<b>Accessories:</b>	1 pcs Spoon
---------------------	-------------

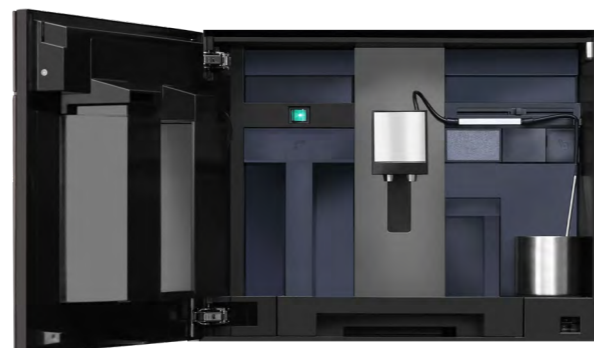
Coffee Machine **MGBC 01 X GE**

<b>Product Dimensions (HxWxD)</b>	455 x 594 x 450 mm
<b>Installation Dimensions (HxWxD)</b>	450 x 560 x 420 mm
<b>Control Panel Height:</b>	92 mm
<b>Type:</b>	Automatic
<b>Capacity Water Container:</b>	1.8 L
<b>Voltage:</b>	220 – 240 V
<b>Energy Efficiency Class:</b>	A+
<b>Water Pump Pressure:</b>	19 Bar

<b>Coffee Functions:</b>	4 Automatic Preset Beverages 9 Customizable drinks Manually Espresso / Americano / Cappuccino / Latte
--------------------------	---

<b>Cleaning Functions:</b>	Automatic Cleaning & Descaling Indicators
----------------------------	---

<b>Accessories:</b>	1 pcs Spoon
---------------------	-------------

Coffee Machine **MGBC 01 X GE PRO**

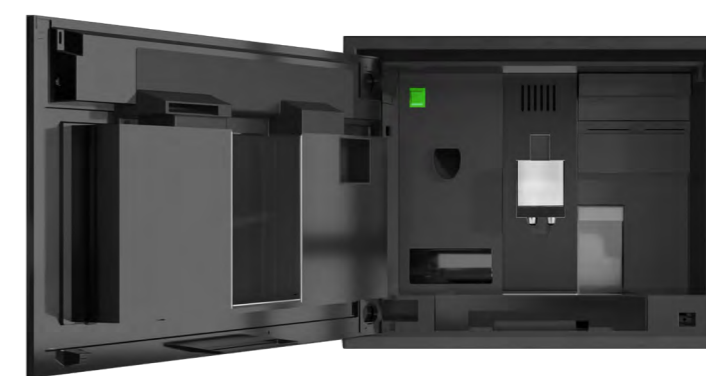
<b>Product Dimensions (HxWxD)</b>	455 x 594 x 450 mm
<b>Installation Dimensions (HxWxD)</b>	450 x 560 x 420 mm

<b>Type:</b>	Fully Automatic
<b>Capacity Water Container:</b>	2.4 L
<b>Voltage:</b>	220 - 240 V
<b>Energy Efficiency Class:</b>	A+
<b>Bean Tank Capacity:</b>	500 G
<b>Water Pump Pressure:</b>	19 Bar
<b>Custom Brew Option:</b>	Yes

<b>Coffee Functions:</b>	8 Automatic Preset Beverages 12 Customizable drinks Manually Restretto / Espresso / Americano / Lungo Cappuccino / Latte / Hot Water / Hot Milk
--------------------------	--

<b>Cleaning Functions:</b>	Automatic clean / Automatic Reminder For Cleaning
----------------------------	---

<b>Accessories:</b>	1 Steel Bottle
---------------------	----------------

Coffee Machine **MGBC 1125 I X GE**

<b>Product Dimensions (HxWxD)</b>	455 x 594 x 450 mm
<b>Installation Dimensions (HxWxD)</b>	450 x 560 x 420 mm

<b>Type:</b>	Fully Automatic
<b>Ice Maker:</b>	Yes
<b>Capacity Water Container:</b>	2.4 L
<b>Voltage:</b>	220 - 240 V
<b>Energy Efficiency Class:</b>	A+
<b>Bean Tank Capacity:</b>	500 G
<b>Water Pump Pressure:</b>	19 Bar

<b>Custom Brew Option:</b>	Yes
<b>Coffee Functions:</b>	8 Automatic Preset Beverages 14 Customizable drinks Manually With ice available Restretto / Espresso / Americano / Lungo Cappuccino / Latte / Hot Water / Hot Milk

<b>Cleaning Functions:</b>	Automatic clean / Automatic Reminder For Cleaning
----------------------------	---

<b>Accessories:</b>	1 Steel Bottle
---------------------	----------------

## Coffee Machine MGC 6555 GE PRO



**Product Dimensions (HxWxD)** 340 x 220 x 465 mm

**Coffee Machine Type:** Fully Automatic

**Capacity Water Container:** 2 L

**Voltage:** 220 - 240 V

**Energy Efficiency Class:** A+

**Bean Tank Capacity:** 250 G

**Water Pump Pressure:** 15 Bar

**Custom Brew Option:** Yes

**Coffee Functions:** 12 Automatic Preset Beverages

10 Manually Customizable Drinks

(with option to add new beverages)

**Cold Brew Function**

Restretto / Espresso / Espresso Cold / Americano /

American Cold / Coffee / Coffee Cold / Cappuccino

Latte / Cortado / Hot Water / Hot Milk

**Cleaning Functions:** Automatic clean / Automatic Reminder For Cleaning

## Coffee Machine MGC 5447-90 GE



**Product Dimensions (HxWxD)** 340 x 220 x 465 mm

**Coffee Machine Type:** Fully Automatic

**Capacity Water Container:** 2 L

**Voltage:** 220 - 240 V

**Energy Efficiency Class:** A+

**Bean Tank Capacity:** 250 G

**Water Pump Pressure:** 15 Bar

**Custom Brew Option:** Yes

**Coffee Functions:** 7 Automatic Preset Beverages  
10 Customizable drinks Manually  
Espresso / Coffee / Americano / Cappuccino / Latte  
Macchiato / Hot Milk / Hot Water

**Cleaning Functions:** Automatic clean / Automatic Reminder For Cleaning

# WARMING DRAWERS



# — WARMING DRAWERS

Precision meets simplicity. Monogram warming drawers are designed to quietly support your kitchen rhythm—whether you're warming plates, holding dishes at the perfect temperature, or prepping for a multi-course dinner.

Sleek and handle-free, they open with a gentle push, blending effortlessly into modern cabinetry. Temperature is precisely adjustable, while anti-slip bases and telescopic rails keep everything secure and accessible. With programmable timers and gentle warming functions, they offer subtle technology that enhances your routine without ever interrupting it.

## — INNOVATIONS



### TOUCH CONTROL

Intuitive touch control panel offers seamless operation, precise settings, and a sleek, modern interface.



### PUSH-TO-OPEN

Opens with a gentle push—no handles needed, ideal for seamless kitchen designs.



### TIMER WITH AUTO OFF

Programmable timer with automatic shut-off for added safety and convenience.



### TELESCOPIC RAILS

Ensures smooth, full extension for easy and stable access to contents.



### ADJUSTABLE TEMPERATURE SETTING

Multiple heat levels to keep food, dishes, or even dough at ideal temperatures.



### ANTI-SLIP BASE

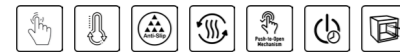
Prevents dishes from sliding when opening or closing the drawer.



### KEEP WARM FUNCTION

Keeps food at serving temperature without drying or overcooking.

## Warming Drawer MGBW 44 B GE



<b>Product Dimensions (HxWxD)</b>	140 x 594 x 518 mm
<b>Installation Dimensions (HxWxD)</b>	140*140 x 560*568 x 550 mm
<b>Total Connected Load:</b>	1000 W
<b>Cavity:</b>	22 L
<b>Voltage:</b>	220 – 240 V
<b>Energy Efficiency Class:</b>	A+
<b>Temperature Adjustment:</b>	30 - 80 °C

<b>Performance:</b>	19 Slow Cook Options
	19 Heating Methods
	6 Function
	Bread Dough Proofing / Slow Cooking / Yogurt Preparation / Defrosting & Softening / Keeping Drinks & Food Warm / Pre-Warming & Sterilizing Dinnerware

## Warming Drawer MGBW 11 X GE



<b>Product Dimensions (HxWxD)</b>	140 x 594 x 518 mm
<b>Installation Dimensions (HxWxD)</b>	140*140 x 560*568 x 550 mm
<b>Total Connected Load:</b>	820 W
<b>Cavity:</b>	22 L
<b>Voltage:</b>	220 – 240 V
<b>Energy Efficiency Class:</b>	A+
<b>Temperature Adjustment:</b>	30 - 80 °C

<b>Performance:</b>	Slow Cooking
	3 Heating Methods
	Cup Warming / Plate Warming / Warming



# RANGE HOODS

# RANGE HOODS

Monogram built-in hoods are designed to integrate seamlessly into modern kitchens, with a sleek concealed structure that fits neatly inside cabinetry.

Equipped with touch controls and energy-efficient LED lighting, they combine modern functionality with elegant minimalism. Innovations like washable filters ensure easy maintenance, while quiet performance and high suction power make them ideal for everyday and intensive cooking alike. Whether you're simmering sauces or searing steaks, Monogram hoods quietly and effectively clear the air, keeping your kitchen fresh, clean, and visually uncluttered.

## INNOVATIONS



### TOUCH CONTROL

Intuitive touch control panel offers seamless operation, precise settings, and a sleek, modern interface.



### QUIET PERFORMANCE

Advanced motor insulation and airflow design reduce noise levels, ensuring powerful ventilation with minimal sound.



### HIGH SUCTION POWER

Designed for intensive cooking, the high extraction rate efficiently removes smoke, odors, and steam from the kitchen environment.



### WASHABLE FILTER

Durable, easy-to-remove filters can be washed and reused, helping maintain peak performance with minimal maintenance.



### LED DISPLAY

The clear and modern LED display provides real-time feedback, easy navigation between functions, and improved visibility in all lighting conditions.



## Hood DC DUAL BLACK



Product Dimensions (HxWxD)	793 x 292 x 300 mm
Installation Dimensions (HxWxD)	775 x 275 x 290 mm
Power of Suction:	450 - 750 m <sup>3</sup> /h
Recirculation	450 - 650 m <sup>3</sup> /h
Ventilation:	450 m <sup>3</sup> /h

## Hood DC DUAL WHITE



Installation Type:	Fully Concealed
Voltage:	220 - 240 V
Nois Level:	~42 - 55 dB
Energy Efficiency Class:	A+
Number Of Speeds:	4

Options:	High Power Motor
Lighting:	1 LED Lamp
Material:	Glass / Painted Steel
Filter:	Aluminum Duble Layer

## Hood KONVEX BLACK



**Product Dimensions (HxWxD)** 793 x 292 x 300 mm  
**Installation Dimensions (HxWxD)** 775 x 275 x 290 mm

**Power of Suction:** 450 - 750 m<sup>3</sup>/h  
**Recirculation** 450 - 650 m<sup>3</sup>/h  
**Ventilation:** 450 m<sup>3</sup>/h

**Installation Type:** Fully Concealed  
**Voltage:** 220 - 240 V  
**Nois Level:** ~42 - 55 dB  
**Energy Efficiency Class:** A+  
**Number Of Speeds:** 4

## Hood KONVEX SILVER



**Options:** High Power Motor  
**Lighting:** 2 LED Lamp  
**Material:** Glass / Painted Steel  
**Filter:** Aluminum Duple Layer





HOBS

# HOBS

Monogram hobs bring precision, power, and modern aesthetics together—whether you choose gas, electric, or induction. All models are designed for intuitive use, featuring refined details like selector control systems, 270° rotary knobs, and smart auto shut-off functionality.

Gas hobs deliver responsive flame control, while induction and ceramic models offer faster heating and safer surfaces, with residual heat indicators and pan detection for added security. With booster modes for high-performance cooking, child lock for safety, and easy-clean surfaces, Monogram hobs make cooking smooth, efficient, and enjoyable—no matter your style.



## CONTROL RING

Navigate settings easily with a smooth-turning ring that offers precise, intuitive control.



## LED DISPLAY

The clear and modern LED display provides real-time feedback, easy navigation between functions, and improved visibility in all lighting conditions.



## RESIDUAL HEAT INDICATOR

Alerts you when the surface is still hot after use, preventing accidental burns.



## KEEP WARM

Maintains a low, consistent temperature to keep food warm until ready to serve—without overcooking or drying out.

## INNOVATIONS



## SELECTOR CONTROL SYSTEM

Precise temperature adjustment for each cooking zone, allowing better control for delicate and high-heat cooking.



## 270° KNOB ROTATION

Wide-range rotary knobs enable smoother, more precise heat control with a professional feel.



## BOOSTER FUNCTION

Rapid heat-up mode for quick boiling or intense searing when you need maximum power instantly.



## CHILD LOCK

Prevents accidental or unauthorized use of the appliance for added safety in family environments.



## PAN DETECTION

Activates heat only when a suitable pan is detected, enhancing efficiency and safety.



## AUTO SWITCH-OFF / TIMER

Cooking zones automatically turn off after a set time—ideal for multitasking and safety.



## EASY-CLEAN GLASS SURFACE

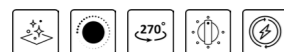
Smooth, durable surface resists stains and wipes clean effortlessly after cooking.



## TOUCH CONTROL

Intuitive touch control panel offers seamless operation, precise settings, and a sleek, modern interface.

## Gas Cooktop MGBH 915 GB 81 GE PRO



<b>Product Dimensions (HxWxD)</b>	865 x 510 x 90 mm
<b>Installation Dimensions (HxWxD)</b>	845 x 480 x 90 mm

<b>Burner:</b>	Defendi
<b>Surface Material:</b>	Tempered Glass
<b>Knob Material:</b>	Metal knobs
<b>Control System:</b>	6-Step Valve
<b>Safety System:</b>	Integrated F.F.D (Flame Failure Device)

## Gas Cooktop MGBH 915 GB 85 GE PRO



<b>Product Dimensions (HxWxD)</b>	865 x 510 x 90 mm
<b>Installation Dimensions (HxWxD)</b>	845 x 480 x 90 mm

<b>Burner:</b>	Defendi
<b>Surface Material:</b>	Tempered Glass
<b>Knob Material:</b>	Metal knobs
<b>Control System:</b>	6-Step Valve
<b>Safety System:</b>	Integrated F.F.D (Flame Failure Device)

## Gas Cooktop MGBH 915 XS 51 GE PRO



<b>Product Dimensions (HxWxD)</b>	860 x 510 x 85 mm
<b>Installation Dimensions (HxWxD)</b>	830 x 480 x 85 mm

<b>Burner:</b>	Defendi
<b>Surface Material:</b>	Stainless Steel
<b>Pan Front Material:</b>	Aluminum
<b>Knob Material:</b>	Metal knobs
<b>Control System:</b>	6-Step Valve
<b>Safety System:</b>	Integrated F.F.D (Flame Failure Device)

## Gas Cooktop MGBH 955 XS 53 GE PRO



<b>Product Dimensions (HxWxD)</b>	909 x 510 x 85 mm
<b>Installation Dimensions (HxWxD)</b>	870 x 480 x 85 mm

<b>Burner:</b>	Defendi
<b>Surface Material:</b>	Stainless Steel
<b>Pan Front Material:</b>	Aluminum
<b>Knob Material:</b>	Metal knobs
<b>Control System:</b>	6-Step Valve
<b>Safety System:</b>	Integrated F.F.D (Flame Failure Device)

## Gas Cooktop MGBH 915 XS 52 GE PRO



<b>Product Dimensions (HxWxD)</b>	890 x 520 x 90 mm
<b>Installation Dimensions (HxWxD)</b>	860 x 480 x 90 mm

<b>Burner:</b>	Defendi
<b>Surface Material:</b>	Stainless Steel
<b>Pan Front Material:</b>	Aluminum
<b>Knob Material:</b>	Metal knobs
<b>Safety System:</b>	Integrated F.F.D (Flame Failure Device)

## Gas Cooktop MGBH 995 XS 53 GE PRO



<b>Product Dimensions (HxWxD)</b>	909 x 510 x 85 mm
<b>Installation Dimensions (HxWxD)</b>	870 x 480 x 85 mm

<b>Burner:</b>	Defendi
<b>Surface Material:</b>	Stainless Steel
<b>Pan Front Material:</b>	Aluminum
<b>Knob Material:</b>	Metal knobs
<b>Safety System:</b>	Integrated F.F.D (Flame Failure Device)

## Gas Cooktop MGBH 915 XS 51 GE



<b>Product Dimensions (HxWxD)</b>	860 x 510 x 85 mm
<b>Installation Dimensions (HxWxD)</b>	830 x 480 x 85 mm

<b>Burner:</b>	Defendi
<b>Surface Material:</b>	Stainless Steel
<b>Knob Material:</b>	Metal knobs
<b>Safety System:</b>	Integrated F.F.D (Flame Failure Device)

## Gas Cooktop MGBH 915 GB 82 GE



<b>Product Dimensions (HxWxD)</b>	875 x 510 x 90 mm
<b>Installation Dimensions (HxWxD)</b>	850 x 480 x 90 mm

<b>Burner:</b>	Defendi
<b>Surface Material:</b>	Tempered Glass
<b>Knob Material:</b>	Metal knobs
<b>Safety System:</b>	Integrated F.F.D (Flame Failure Device)

### Gas Cooktop MGBH 915 XS 53 GE



**Product Dimensions (HxWxD)** 890 x 520 x 90 mm  
**Installation Dimensions (HxWxD)** 860 x 480 x 90 mm

**Burner:** Defendi  
**Surface Material:** Stainless Steel  
**Knob Material:** Metal knobs  
**Safety System:** Integrated F.F.D  
 (Flame Failure Device)

### Gas Cooktop MGBH 915 GB 83 GE



**Product Dimensions (HxWxD)** 860 x 480 x 90 mm  
**Installation Dimensions (HxWxD)** 870 x 480 x 85 mm

**Burner:** Defendi  
**Surface Material:** Tempered Glass  
**Knob Material:** Metal knobs  
**Safety System:** Integrated F.F.D  
 (Flame Failure Device)

### Gas Cooktop MGBH 915 XS 52 GE



**Product Dimensions (HxWxD)** 909 x 510 x 85 mm  
**Installation Dimensions (HxWxD)** 870 x 480 x 85 mm

**Burner:** Defendi  
**Surface Material:** Stainless Steel  
**Knob Material:** Metal knobs  
**Safety System:** Integrated F.F.D  
 (Flame Failure Device)

### Gas Cooktop MGBH 915 GB 81 GE



**Product Dimensions (HxWxD)** 865 x 510 x 90 mm  
**Installation Dimensions (HxWxD)** 845 x 480 x 90 mm

**Burner:** Defendi  
**Surface Material:** Tempered Glass  
**Knob Material:** Metal knobs  
**Safety System:** Integrated F.F.D  
 (Flame Failure Device)

## Gas Cooktop MGBH 604 XS 29 GE PRO



Product Dimensions (HxWxD)	600 x 515 x 90 mm
Installation Dimensions (HxWxD)	570 x 480 x 85 mm

<b>Burner:</b>	Defendi
<b>Surface Material:</b>	Stainless Steel
<b>Pan Front Material:</b>	Aluminum
<b>Knob Material:</b>	Metal knobs
<b>Safety System:</b>	Integrated F.F.D (Flame Failure Device)

## Gas Cooktop MGBH 302 XS 21 GE



Product Dimensions (HxWxD)	500 x 290 x 90 mm
Installation Dimensions (HxWxD)	480 x 270 x 90 mm

<b>Burner:</b>	Defendi
<b>Surface Material:</b>	Stainless Steel
<b>Knob Material:</b>	Metal knobs
<b>Safety System:</b>	Integrated F.F.D (Flame Failure Device)

## Gas Cooktop MGBH 900 GB 90 GE



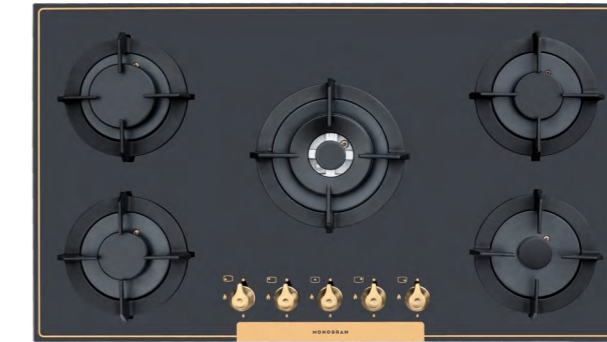
Product Dimensions (HxWxD)	900 x 520 x 85 mm
Installation Dimensions (HxWxD)	870 x 480 x 85 mm

<b>Burner:</b>	Sabaf
<b>Surface Material:</b>	Tempered Glass
<b>Knob Material:</b>	Metal knobs
<b>Safety System:</b>	Integrated F.F.D (Flame Failure Device)





## Gas Cooktop MGBH 905 GB 75 GE

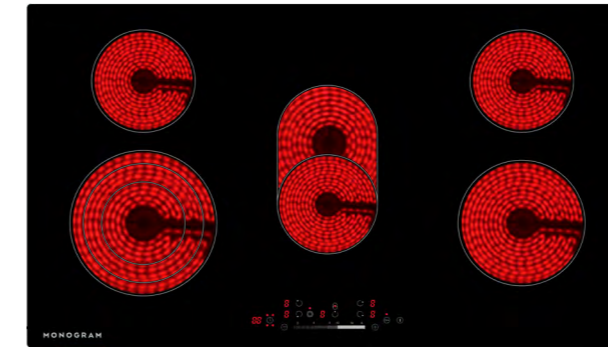


Product Dimensions (HxWxD)	890 x 520 x 90 mm
Installation Dimensions (HxWxD)	860 x 480 x 90 mm
Burner:	Sabaf
Surface Material:	Tempered Glass
Knob Material:	Metal knobs
Safety System:	Integrated F.F.D (Flame Failure Device)

# ELECTRIC COOKTOPS

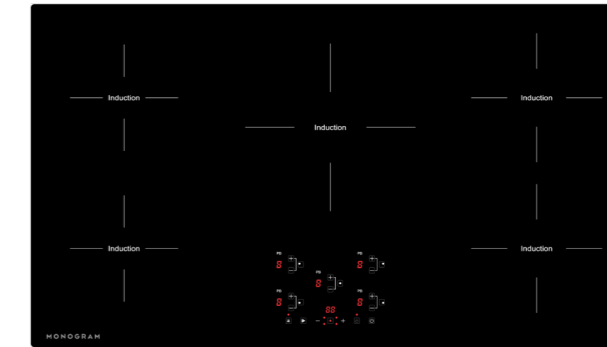


## Electric Cooktop MGBH 905 GB 88 GE



Product Dimensions (HxWxD)	900 x 520 x 55 mm
Installation Dimensions (HxWxD)	860 x 480 x 55 mm
Type:	Vitro ceramic
Total Power(W):	8600 W
Left Up Power(W):	1200 W
Left Down Zone(W):	2400 W (800+800+800)
Middle Zone(W):	2000 W (1100+900)
Right Up Zone(W):	1200 W

## Electric Cooktop MGBH 9955 GB 88 GE



Product Dimensions (HxWxD)	900 x 520 x 55 mm
Installation Dimensions (HxWxD)	860 x 480 x 55 mm
Type:	Induction
Total Power(W):	9600 W
Voltage:	100 – 240 V
Frequency:	60~50 Hz
Cooking Power Setting:	9/15 Level
Options:	Slider / Auto Off / Stop & Go

## Electric Cooktop MGBH 604 GB 86 GE



Product Dimensions (HxWxD)	590 x 520 x 55 mm
Installation Dimensions (HxWxD)	560 x 490 x 55 mm
Type:	Vitro ceramic
Total Power(W):	7000 W
Left Up Power(W):	1800 W
Left Down Zone(W):	2000 W (1000+1000)
Right Up Zone(W):	2000 W (1100+900)
Right Down Zone(W):	1200 W

## Electric Cooktop MGBH 6644 GB 86 GE



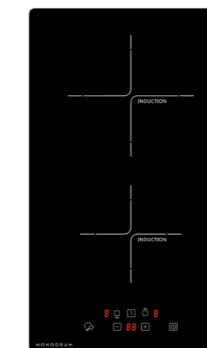
Product Dimensions (HxWxD)	590 x 520 x 55 mm
Installation Dimensions (HxWxD)	560 x 490 x 55 mm
Type:	Induction
Total Power(W):	6800 W
Voltage:	100 – 240 V
Frequency:	60~50 Hz
Cooking Power Setting:	9/15 Level
Options:	Slider / Auto Off / Stop & Go

## Electric Cooktop MGBH 302 GB 83 GE



Product Dimensions (HxWxD)	295 x 510 x 55 mm
Installation Dimensions (HxWxD)	270 x 480 x 55 mm
Type:	Vitro ceramic
Total Power(W):	3200 W
Up Zone(W):	2000 W (1000+1000)
Down Zone(W):	1200 W

## Electric Cooktop MGBH 3322 GB 86 GE



Product Dimensions (HxWxD)	295 x 510 x 55 mm
Installation Dimensions (HxWxD)	270 x 480 x 55 mm
Type:	Induction
Total Power(W):	3200 W
Voltage:	100 – 240 V
Frequency:	60~50 Hz
Cooking Power Setting:	9/15 Level
Options:	Slider / Auto Off / Stop & Go



# REFRIGERATORS

# REFRIGERATORS

Where design meets precision.

Monogram refrigerators are crafted to integrate seamlessly into contemporary kitchens, whether you choose a built-in combi model, a side-by-side showpiece, or a compact undercounter unit. Each model is engineered not just to store—but to preserve, organize, and elevate everyday living. With intuitive temperature control, minimal energy use, and whisper-quiet operation, they quietly adapt to your needs without asking for attention. Behind every clean line and metallic detail lies a commitment to freshness, efficiency, and lasting performance—making Monogram not just a part of your kitchen, but a part of your lifestyle.



## Adjustable Shelves & Flex Zones

Customizable storage areas and flexible temperature zones adapt to different food types and container sizes.



## AI COOLING

Artificial intelligence analyzes usage patterns and external conditions to automatically adjust internal temperature for optimal performance.



## LED DISPLAY

The clear and modern LED display provides real-time feedback, easy navigation between functions, and improved visibility in all lighting conditions.



## FAST COOLING MODE

Rapidly lowers the temperature to preserve newly stored items faster and more effectively.

## INNOVATIONS



## DOOR ALARM

Audio alert notifies you when the door remains open too long, protecting food freshness.



## HOLIDAY MODE

Minimizes energy use during extended absences while keeping the freezer active.



## HUMIDITY CONTROL DRAWER

A dedicated drawer with adjustable humidity to keep fruits and vegetables fresh for longer.



## MULTY AIR FLOW

Even cold air distribution across all compartments ensures stable temperature and food freshness.



## NO FROST

Prevents frost build-up, eliminating the need for manual defrosting.



## SUPER SILENT OPERATION

Noise-reducing compressor technology for ultra-quiet performance.



## FRESH SPACE

Keeps the internal temperature stable during power outages to preserve food freshness longer.



## REVERSIBLE DOOR

Seamless and responsive interface allowing precise control over cooking functions with a gentle touch.



## Side-By-Side MBRF 550 X GE



Product Dimensions (HxWxD)	1853 x 906 x 560 mm
Installation Dimensions (HxWxD)	1858 x 906 x 570 mm
Installation Type:	Built-in
Total volume:	550 L
Fridge:	340 L
Freezer:	210 L
Energy Efficiency Class:	A+
Noise Level:	42 dB
Voltage:	220 - 240 V
Material:	Stainless Steel
Color:	Silver
Metal Cooling Panel:	YES
Number Of Drawers:	4



## Combi Refrigerator MBRC 430 GE



Product Dimensions (HxWxD)	1770 x 540 x 545 mm
Installation Dimensions (HxWxD)	1776 x 558 x 560 mm
Installation Type:	Built-in
Total volume:	236 L
Fridge:	168 L
Freeze:	68 L
Energy Efficiency Class:	D
Noise Level:	39 dB
Voltage:	220 - 240 V
Material:	Stainless Steel
Color:	White
Metal Cooling Panel:	YES
Number Of Drawers:	4



## Combi Refrigerator MBRC 275 GE



Product Dimensions (HxWxD)	1770 x 540 x 545 mm
Installation Dimensions (HxWxD)	1776 x 558 x 560 mm
Installation Type:	Built-in
Total volume:	275 L
Fridge:	186 L
Freeze:	89 L
Energy Efficiency Class:	E+
Noise Level:	38 dB
Voltage:	220 - 240 V
Refrigerator Temperature Range:	2 to 10 °C
Freezer Temperature Range:	-25 to -14 °C
Exact Temperature Setting:	0, 2, 4 °C
Material:	Stainless Steel
Color:	White
Metal Cooling Panel:	YES
Number Of Drawers:	3



## Fridge MBR 360 X GE



Product Dimensions (HxWxD)	1870 x 553 x 559 mm
Installation Dimensions (HxWxD)	1875 x 563 x 564 mm
Installation Type:	Built-in
Total volume:	360 L
Energy Efficiency Class:	A+
Noise Level:	42 dB
Voltage:	220 - 240 V
Material:	Stainless Steel
Color:	Silver
Metal Cooling Panel:	YES
Number Of Drawers:	3





## Fridge MBR 350 GE



Product Dimensions (HxWxD)	1785 x 560 x 550 mm
Installation Dimensions (HxWxD)	1776 x 540 x 540 mm
Installation Type:	Built-in
Total volume:	350 L
Energy Efficiency Class:	A
Noise Level:	42 dB
Voltage:	220 - 240 V
Material:	Stainles Steel
Color:	White
Metal Cooling Panel:	YES
Number Of Drawers:	2



## Fridge MBR 308 GE



Product Dimensions (HxWxD)	1770 x 540 x 545 mm
Installation Dimensions (HxWxD)	1776 x 558 x 560 mm
Installation Type:	Built-in
Total volume:	308 L
Energy Efficiency Class:	E+
Noise Level:	38 dB
Voltage:	220 - 240 V
Temperature Range:	0 to 10 °C
Material:	Stainles Steel
Color:	White
Metal Cooling Panel:	YES
Number Of Drawers:	2



## Freezer MBF 260 X GE



Product Dimensions (HxWxD)	1870 x 553 x 559 mm
Installation Dimensions (HxWxD)	1875 x 563 x 564 mm
Installation Type:	Built-in
Total volume:	260 L
Energy Efficiency Class:	A+
Noise Level:	42 dB
Voltage:	220 – 240 V
Material:	Stainles Steel
Color:	Silver
Metal Cooling Panel:	YES
Number Of Drawers:	5
Includes an ice tray	Yes



## Freezer MBF 276 GE



Product Dimensions (HxWxD)	1770 x 540 x 545 mm
Installation Dimensions (HxWxD)	1776 x 558 x 560 mm
Installation Type:	Built-in
Total volume:	276 L
Energy Efficiency Class:	F+
Noise Level:	38 dB
Voltage:	220 – 240 V
Temperature Range:	-25 to -14 °C
Material:	Stainles Steel
Color:	White
Metal Cooling Panel:	YES
Number Of Drawers:	7



## Freezer MBF 250 X GE



Product Dimensions (HxWxD)	1785 x 560 x 550 mm
Installation Dimensions (HxWxD)	1776 x 540 x 540 mm
Installation Type:	Built-in
Total volume:	250 L
Energy Efficiency Class:	A+
Noise Level:	42 dB
Voltage:	220 - 240 V
Material:	Stainles Steel
Color:	White
Metal Cooling Panel:	YES
Number Of Drawers:	6





## Fridge MBR 110 GE



Product Dimensions (HxWxD)	820 x 595 x 545 mm
Installation Dimensions (HxWxD)	830 x 605 x 550 mm
Installation Type:	Built-in
Total volume:	110 L
Energy Efficiency Class:	A+
Noise Level:	38 dB
Voltage:	220 - 240 V
Material:	Stainles Steel
Color:	White
Metal Cooling Panel:	YES
Number Of Shelves:	2



## Fridge MBR 135 GE



Product Dimensions (HxWxD)	820 x 595 x 550 mm
Installation Dimensions (HxWxD)	880 x 655 x 585 mm
Installation Type:	Built-in
Total volume:	135 L
Energy Efficiency Class:	E+
Noise Level:	38 dB
Voltage:	220 - 240 V
Material:	Stainles Steel
Color:	White
Metal Cooling Panel:	YES
Number Of Shelves:	4



# WINE COOLERS

# WINE COOLERS

Subtle in presence, precise in performance.

Monogram wine coolers are designed to protect and showcase your collection with the same level of refinement as the wines themselves. Whether built into cabinetry or standing alone, they create the ideal environment for every varietal—quiet, stable, and intelligently regulated. Every detail is crafted for preservation: balanced humidity, consistent temperatures across independent zones, and glass doors engineered to block UV rays. Vibration is reduced to a minimum, allowing wines to age undisturbed, while soft interior lighting and telescopic wooden shelving ensure both accessibility and elegance. All functions are accessed through a sleek, intuitive touch panel that complements the minimalist design and guarantees effortless control.



## DUAL TEMPERATURE ZONES

Allows separate temperature settings for different types of wine, ensuring ideal storage conditions for both red and white varieties.



## UV PROTECTION

Glass door with UV filter to protect stored bottles from light exposure and preserve their quality.

## INNOVATIONS



## DOOR ALARM

Audio alert notifies you when the door remains open too long, protecting food freshness.



## TFT DISPLAY

High-resolution display offering intuitive navigation, clear visuals, and enhanced user interaction.



## TOUCH CONTROL

Intuitive touch control panel offers seamless operation, precise settings, and a sleek, modern interface.



## LIGHT CUSTOMIZATION

Adjustable RGB lighting lets you personalize the cooler's ambiance while providing soft, non-invasive illumination that won't affect wine preservation.



## LED DISPLAY

The clear and modern LED display provides real-time feedback, easy navigation between functions, and improved visibility in all lighting conditions.



## SOFT CLOSE

Special hinge design ensures the Wine Cooler door closes smoothly and silently, adding comfort and safety.



## REVERSIBLE DOOR

Seamless and responsive interface allowing precise control over cooking functions with a gentle touch.



## HUMIDITY CONTROL

Maintains optimal moisture levels to protect corks from drying out and preserve wine quality over time.



Product Dimensions (HxWxD)	448*455 x 545*590 x 554 mm
Installation Dimensions (HxWxD)	542 x 653 x 542 mm
Installation Type:	Built-in
Total volume:	63 L
Temp Range:	5 ~ 20°C
Capacity:	24 Bottle
Lighting:	LED (Both Sides)
Cooling System:	Dynamic Climate Control
Door Type:	Soft Closing Hinge
Shelves:	Beech Shelves With Slider

## Wine Cooler MBF 145 W 46 GE



Product Dimensions (HxWxD)	820 x 595 x 570 mm
Installation Dimensions (HxWxD)	880 x 655 x 585 mm
Installation Type:	Built-in
Total volume:	145 L
Temp Range:	5 ~ 20°C
Capacity:	46 Bottle
Lighting:	LED (Both Sides)
Cooling System:	Dynamic Climate Control
Door Type:	Soft Closing Hinge
Shelves:	Beech Shelves With Slider





## Wine Cooler MBF 305 W 67 GE



Product Dimensions (HxWxD)	1770 x 556 x 575 mm
Installation Dimensions (HxWxD)	1850 x 625 x 640 mm
Installation Type:	Built-in
Total volume:	305 L
Temp Range:	5 ~ 22°C
Capacity:	67 Bottle
Air Deflector:	Stainless Steel
Lighting:	Top RGB LED Lighting
Cooling System:	Dynamic Climate Control
Door Type:	Soft Closing Hinge
Shelves:	Beech Shelves With Telescopic Slider
Motion Sensor:	yes
Additional Zone:	Service Zone





# DISHWASHERS

# DISHWASHERS

Designed to disappear—and to deliver.

Monogram dishwashers are built to do their job silently, precisely, and with style. Seamlessly integrated into your kitchen, they offer smart flexibility with adjustable racks and targeted wash zones, adapting effortlessly to your daily rhythm.

A near-silent motor and intuitive features like auto-open drying ensure that performance is always powerful, yet never intrusive. With attention to hygiene, energy efficiency, and refined design, every cycle ends with more than clean dishes—it ends with peace of mind.

## INNOVATIONS



### AUTO OPEN

Opens the door automatically at the end of the cycle to enhance drying performance using natural airflow.



### SILENT MOTOR

Advanced motor technology ensures ultra-quiet operation, ideal for open kitchens and nighttime use.



### SPRAYSELECT

The top or bottom spray function optimizes the water flow rate and direction depending on your needs, making for perfect washing.



### ADJUSTABLE RACKS

Flexible racks can be repositioned to fit dishes of various sizes, maximizing space and efficiency.



### AQUASTOP

All models feature a reliable leak protection technology to monitor the condition of the system and prevent potential problems.



Dishwasher  
MOBD 1563 B GE



<b>Product Dimensions (HxWxD)</b>	820 x 600 x 560 mm	<b>Material:</b>	Stainles Steel
<b>Installation Dimensions (HxWxD)</b>	820 x 595 x 550 mm	<b>Peformance:</b>	<b>7 Programs</b>
<b>Installation Type:</b>	Built-in		Fastyes / Pre-soaking / 60 min / Intensive / Normal / ECO
<b>Consumption:</b>	11 L		Glass
<b>Capacity:</b>	12 / 13 / 14 / 15 Place Setting		
<b>Energy Efficiency Class:</b>	A++		
<b>Noise Level:</b>	49 dB		
<b>Voltage:</b>	220 – 240 V		
<b>Display:</b>	LED		
<b>Control Panel Color:</b>	Black		



Dishwasher  
MOBD 15 T 70 GE



<b>Product Dimensions (HxWxD)</b>	815 x 598 x 550 mm	<b>Material:</b>	Stainles Steel
<b>Installation Dimensions (HxWxD)</b>	820 x 595 x 550 mm	<b>Peformance:</b>	<b>7 Programs</b>
<b>Installation Type:</b>	Built-in		Intensive / Rapid / Glass / Express / Pre-Wash / Normal
<b>Consumption:</b>	11 L		ECO / Auto
<b>Capacity:</b>	12 / 13 / 14 / 15 Place Setting		
<b>Energy Efficiency Class:</b>	D	<b>Features:</b>	Lower + Upper sprayer / Half load / Colorful display
<b>Noise Level:</b>	44 / 47 / 49 dB		<b>Options:</b> Height Adjustable Upper Basket / Hot Air Dry
<b>Voltage:</b>	220 – 240 V		Interior Light / UV Lamp / Zone Wash
<b>Display:</b>	LED		
<b>Control Panel Color:</b>	Silver		

# LAUNDRY APPLIANCES



# — WASHING MACHINES

From a 14-minute quick cycle to smart drying programs that handle washing and drying in one seamless motion, Monogram laundry appliances redefine efficiency. Every program is crafted to match modern lifestyles—quiet, intuitive, and deeply fabric-conscious.

Whether you're refreshing shirts, sanitizing delicates with steam, or running a full wash-and-dry cycle with a single touch, the experience is effortless. With built-in Bluetooth, smart sensors, and elegant design, your laundry becomes more than a task—it becomes part of a refined daily rhythm.

## — INNOVATIONS



### **STEAMCURE TECHNOLOGY**

Uses steam at key stages to reduce wrinkles and eliminate bacteria for a cleaner, softer finish.



### **HYGIENE+ AIR REFRESH**

Freshens lightly worn garments using warm air circulation without water or detergent.



### **BLUETOOTH CONNECTIVITY**

Pair the appliance with your phone to download custom programs and monitor cycles remotely.



### **PREWASH + ANTICREASE+**

Options to pre-clean heavily soiled clothes and reduce wrinkles after the cycle ends.



### **WASH & DRY 5 KG IN ONE GO**

Integrated programs that allow full wash and dry without transferring clothes—perfect for everyday efficiency.



### **FAST+ FUNCTION**

Speeds up programs without sacrificing washing performance—ideal for busy days.



### **DRUM CLEAN+**

Keeps the drum fresh and hygienic with high-temperature self-cleaning cycles.



### **CHILD LOCK**

Prevents accidental or unauthorized use of the appliance for added safety in family environments.



## Washing Machine BWD B 1209 G



<b>Product Dimensions (HxWxD)</b>	886 x 600 x 550 mm
<b>Installation Dimensions (HxWxD)</b>	825 x 595 X 500 mm
<b>Installation Type:</b>	Built-in
<b>Energy Efficiency Class:</b>	D
<b>Type of Dryer:</b>	Condenser
<b>Water Pressure:</b>	1-10 bar
<b>Max. load capacity - for washing:</b>	8 kg
<b>Max. load capacity - for drying:</b>	5 kg
<b>Connectivity:</b>	WIFI

<b>Washing Performance:</b>	A
<b>Performance:</b>	15 Programs Cottons Programme / Cottons Eco Programme / Synthetics Programme / Woollens - Hand Wash Programme / Daily Xpress - Xpress Super Short 14 min Programme / Shirts Programme / Downloaded Programme / Spin & Pump Programme / Rinse Programme / Cottons Wash & Dry Programme / Synthetics Wash & Dry Programme / 5 kg Wash & Dry Programme / Hygiene+ Wash & Dry Programme/Wash&Wear Programme/Hygiene Air Refresh

<b>Display:</b>	LED
<b>Control:</b>	Touch Control
<b>Functions:</b>	9 (Prewash / Fast+ / DrumClean+ Drying / Bluetooth / SteamCure Child Lock / AntiCrease+)



# KITCHEN SINKS



# KITCHEN SINKS

The kitchen sink is more than just a practical necessity—it is a centerpiece where functionality meets refined design. Crafted from premium materials and engineered for daily performance, a well-designed sink elevates both the workflow and the overall elegance of the kitchen space. Whether in single or double basin formats, top-mounted or under-mounted styles, a high-end kitchen sink brings effortless sophistication to everyday tasks.

Its generous depth, scratch-resistant surfaces, and sleek aesthetics make it a standout element in any modern kitchen design.



### QUICK & EASY TO INSTALL

Simplifies setup with user-friendly fittings, saving time and effort during installation.



### 304 STAINLESS STEEL

High-grade, food-safe steel that resists corrosion, stains, and daily wear.



### EASY TO CLEAN

Smooth, non-porous surfaces make cleaning effortless and help maintain long-term shine.



## Sink STYLUX

**Product Dimensions (HxWxD)****Available in 3 Sizes**

740 x 500 x 250 mm

900 x 500 x 250 mm

1040 x 500 x 250 mm

**Type:**

Handmade Sink

**Sound Insulation:**

Integrated Sound Deadening Technology

**Resistance:**

Corrosion &amp; Rust Resistant

**Steel Thickness:**

1.2 mm

**Accessories:**

Fruit Washing Basket

Rolling Dish Drying Rack

Soap Dispenser Pump

Movable basin (available for: 90 / 104 cm)

**Corner Radius:**

R0

## Sink STYLUX BLACK

**Product Dimensions (HxWxD)****Available in 3 Sizes**

740 x 500 x 250 mm

900 x 500 x 250 mm

1040 x 500 x 250 mm

**Type:**

Handmade Sink

**Sound Insulation:**

Integrated Sound Deadening Technology

**Resistance:**

Corrosion &amp; Rust Resistant

**Steel Thickness:**

1.2 mm

**Accessories:**

Fruit Washing Basket

Rolling Dish Drying Rack

Soap Dispenser Pump

Movable basin (available for: 90 / 104 cm)

**Corner Radius:**

R0

## Sink KAMBINO

**Product Dimensions (HxWxD)****Available in 2 Sizes**

980 x 500 x 250 mm

880 x 500 x 250 mm

**Type:**

Handmade Sink

**Sound Insulation:**

Integrated Sound Deadening Technology

**Resistance:**

Corrosion &amp; Rust Resistant

**Steel Thickness:**

1.2 mm

**Accessories:**

Movable basin

Fruit washing basket

Rolling dish drying rack

soap dispenser pump

**Corner Radius:**

R 10

## Sink KAMBINO BLACK

**Product Dimensions (HxWxD)****Available in 3 Sizes**

980 x 500 x 250 mm

880 x 500 x 250 mm

740 x 500 x 250 mm

**Type:**

Handmade Sink

**Sound Insulation:**

Integrated Sound Deadening Technology

**Resistance:**

Corrosion &amp; Rust Resistant

**Steel Thickness:**

1.2 mm

**Accessories:**

Movable basin

Fruit washing basket

Rolling dish drying rack

soap dispenser pump

**Corner Radius:**

R 10

## Sink PRAKTIK

**Product Dimensions (HxWxD)****Available in 2 Sizes**

840 x 450 x 250 mm

900 x 450 x 250 mm

**Type:**

Handmade Sink

**Sound Insulation:**

Integrated Sound Deadening Technology

**Resistance:**

Corrosion &amp; Rust Resistant

**Steel Thickness:**

1.2 mm

**Accessories:**

Fruit washing basket

Rolling dish drying rack

**Corner Radius:**

R 0

## Sink COPPER 80

**Product Dimensions (HxWxD)**

800 x 500 x 250 mm

**Type:**

Handmade Sink

**Sound Insulation:**

Integrated Sound Deadening Technology

**Resistance:**

Corrosion &amp; Rust Resistant

**Steel Thickness:**

1.2 mm

**Accessories:**

Soap dispenser pump

Fruit washing basket

Rolling dish drying rack

**Corner Radius:**

R 10

## Sink LINE PURE 116



<b>Product Dimensions (HxWxD)</b>	1160 x 500 x 250 mm
<b>Type:</b>	Handmade Sink
<b>Sound Insulation:</b>	Integrated Sound Deadening Technology
<b>Resistance:</b>	Corrosion & Rust Resistant
<b>Steel Thickness:</b>	1.2 mm
<b>Tray Position:</b>	Left - Right

<b>Accessories:</b>	Colander Basket Roll-Up Drying Rack
---------------------	--

<b>Corner Radius:</b>	R 10
-----------------------	------

## Sink ZOOM

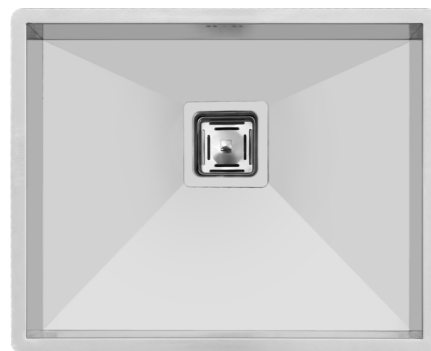


<b>Product Dimensions (HxWxD)</b>	1160 x 500 x 250 mm
<b>Type:</b>	Handmade Sink
<b>Sound Insulation:</b>	Integrated Sound Deadening Technology
<b>Resistance:</b>	Corrosion & Rust Resistant
<b>Steel Thickness:</b>	1.2 mm
<b>Tray Position:</b>	Left - Right

<b>Accessories:</b>	Colander Basket Roll-Up Drying Rack
---------------------	--

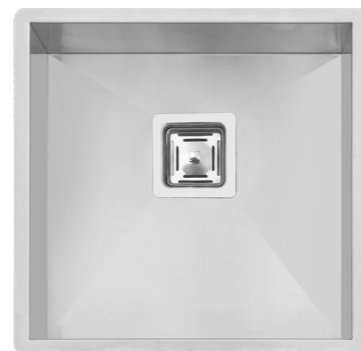
<b>Corner Radius:</b>	R 10
-----------------------	------

## Sink VARIANT 50



<b>Product Dimensions (HxWxD)</b>	400 x 500 x 200 mm
<b>Type:</b>	Handmade Sink
<b>Sound Insulation:</b>	Integrated Sound Deadening Technology
<b>Resistance:</b>	Corrosion & Rust Resistant
<b>Steel Thickness:</b>	1.2 mm
<b>Corner Radius:</b>	R0

## Sink VARIANT 40



<b>Product Dimensions (HxWxD)</b>	400 x 400 x 200 mm
<b>Type:</b>	Handmade Sink
<b>Sound Insulation:</b>	Integrated Sound Deadening Technology
<b>Resistance:</b>	Corrosion & Rust Resistant
<b>Steel Thickness:</b>	1.2 mm
<b>Corner Radius:</b>	R0

## Sink VARIANT 20



<b>Product Dimensions (HxWxD)</b>	400 x 200 x 200 mm
<b>Type:</b>	Handmade Sink
<b>Sound Insulation:</b>	Integrated Sound Deadening Technology
<b>Resistance:</b>	Corrosion & Rust Resistant
<b>Steel Thickness:</b>	1.2 mm
<b>Corner Radius:</b>	R0

## Sink MASTER 85



<b>Product Dimensions (HxWxD)</b>	850 x 450 x 250 mm
<b>Type:</b>	Handmade Sink
<b>Sound Insulation:</b>	Integrated Sound Deadening Technology
<b>Resistance:</b>	Corrosion & Rust Resistant
<b>Steel Thickness:</b>	1.2 mm
<b>Accessories:</b>	Fruit washing basket
<b>Corner Radius:</b>	R10



# KITCHEN FAUCETS

# — KITCHEN FAUCETS

Form meets flow.

Monogram kitchen faucets combine elegant geometry with functional precision—bringing refined simplicity to the most-used space in your home. Crafted with durable materials and finished in timeless tones, they blend seamlessly into modern worktops and minimalist islands.

From smooth swivel motion to effortless temperature control, every movement is calibrated for comfort. Designed not just to complement your sink, but to elevate your entire kitchen experience.



Kitchen Faucets **ELEGANT**

<b>Type:</b>	Mixer Tap
<b>Color:</b>	Chrome
<b>Material:</b>	Brass
<b>Water outlet:</b>	Two
<b>Features:</b>	Water Filtration System SS Silicone hose Rotating 360-degree 35 mm Ceramic Cartridge

Kitchen Faucets **GALEXY**

<b>Type:</b>	Mixer Tap
<b>Color:</b>	Chrome
<b>Material:</b>	Brass
<b>Water outlet:</b>	One
<b>Features:</b>	Rotating 360-degree SS Silicone hose Sprayer Included Magnetic Holder Base

Kitchen Faucets **CROSS**

<b>Type:</b>	Mixer Tap
<b>Color:</b>	Chrome
<b>Material:</b>	SS 304
<b>Water outlet:</b>	Two
<b>Features:</b>	SS Silicone hose Water Filtration System Rotating 360-degree 35 mm Ceramic Cartridge

Kitchen Faucets **PROFESSIONAL**

<b>Type:</b>	Mixer Tap
<b>Color:</b>	Gray
<b>Material:</b>	SS 304
<b>Water outlet:</b>	Two
<b>Features:</b>	Water Filtration System SS Silicone hose Sprayer Included Rotating 360-degree Magnetic Holder Base 35 mm Ceramic Cartridge

Kitchen Faucets **DESIGN**

<b>Type:</b>	Mixer Tap
<b>Color:</b>	Chrome
<b>Material:</b>	SS 304
<b>Water outlet:</b>	Two
<b>Features:</b>	Water Filtration System Rotating 360-degree 35 mm Ceramic Cartridge

Kitchen Faucets **SMART**

<b>Type:</b>	Mixer Tap
<b>Color:</b>	Chrome
<b>Material:</b>	SS 304
<b>Water outlet:</b>	One
<b>Features:</b>	Sprayer Included Rotating 360-degree 4 Spray Modes

Kitchen Faucets **POLYTECH**

<b>Type:</b>	Mixer Tap
<b>Color:</b>	Available in 3 colors Chrome Matte Chrome Matte Black
<b>Material:</b>	SS 304
<b>Water outlet:</b>	One
<b>Features:</b>	Sprayer Included Rotating 360-degree 35 mm Ceramic Cartridge

Kitchen Faucets **OMEGA**

<b>Type:</b>	Mixer Tap
<b>Color:</b>	Available in 2 colors Matte Chrome Gray
<b>Material:</b>	SS 304
<b>Water outlet:</b>	Two
<b>Features:</b>	Rotating 360-degree Water Filtration System Sprayer Included 35 mm Ceramic Cartridge

Kitchen Faucets **FLEXI**

<b>Type:</b>	Mixer Tap
<b>Color:</b>	Available in 3 colors Matte Chrome Gold Matte Black
<b>Material:</b>	Brass
<b>Water outlet:</b>	One
<b>Features:</b>	SS Silicone hose Rotating 360-degree

Kitchen Faucets **VOLTA**

<b>Type:</b>	Mixer Tap
<b>Color:</b>	Gray
<b>Material:</b>	Brass
<b>Water outlet:</b>	Two
<b>Features:</b>	SS Hose Water Filtration System Sprayer Included Rotating 360-degree Water Filtration System 35 mm Ceramic Cartridge

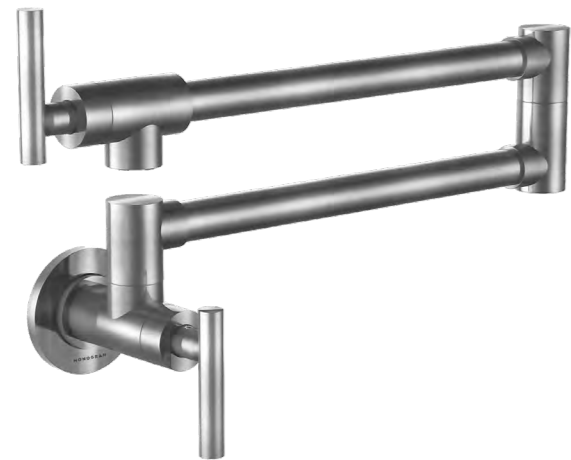
Kitchen Faucets **SWING**

<b>Type:</b>	Mixer Tap
<b>Color:</b>	Available in 3 colors Matte Chrome Gold Matte Black
<b>Material:</b>	Brass
<b>Water outlet:</b>	Two
<b>Features:</b>	Water Filtration System SS Silicone hose Rotating 360-degree

Kitchen Faucets **PLAY +**

<b>Type:</b>	Mixer Tap
<b>Color:</b>	Chrome
<b>Material:</b>	Brass
<b>Water outlet:</b>	Two
<b>Features:</b>	SS Silicone hose Water Filtration System Rotating 360-degree Sprayer Included Magnetic Holder Base 25 mm Ceramic Cartridge

## Kitchen Faucets DELTA



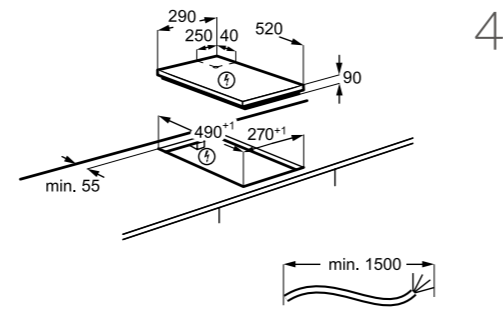
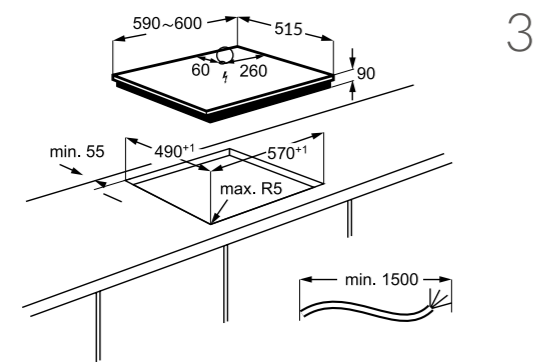
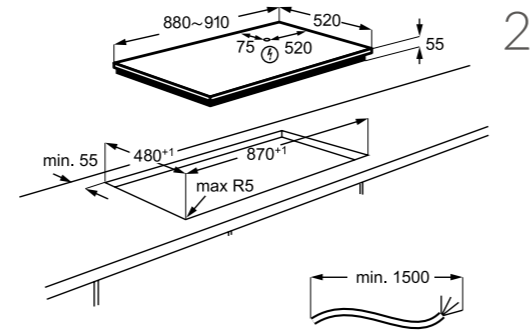
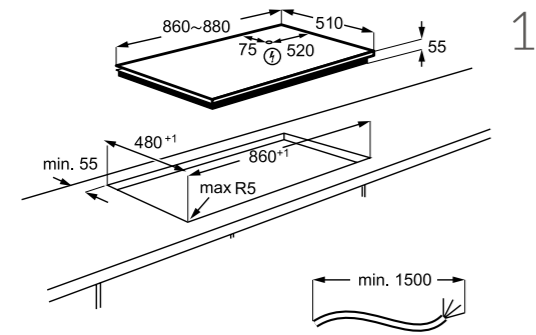
---

Type:	Pot Filler Faucet
Color:	Matte Chrome
Material:	SS 304
Water outlet:	One
Features:	SS Silicone hose Rotating 360-degree

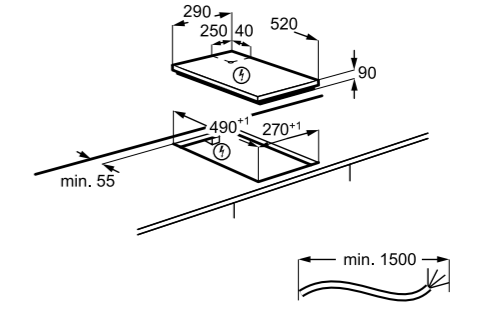
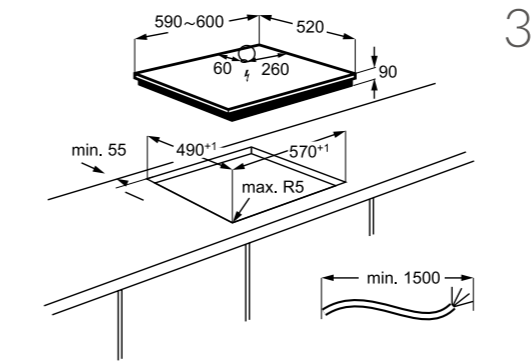
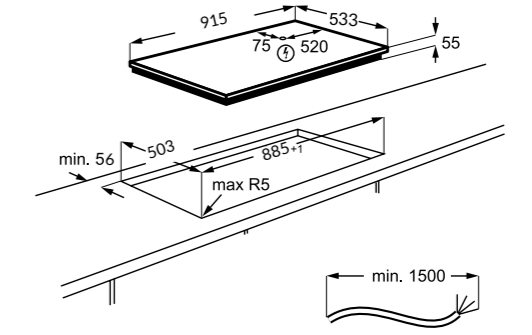
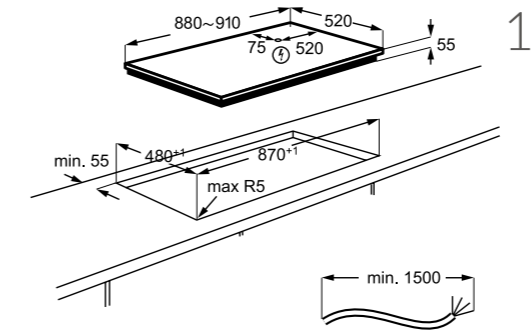




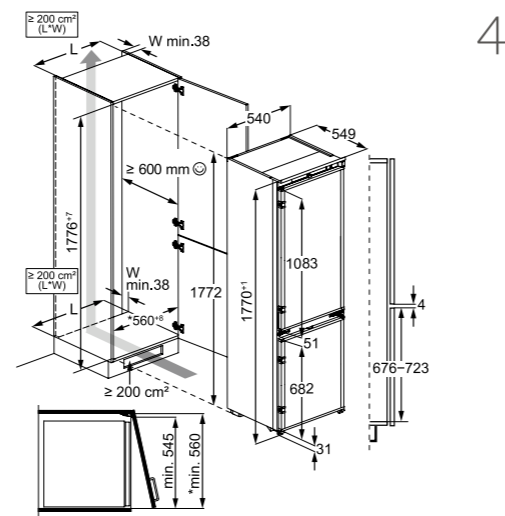
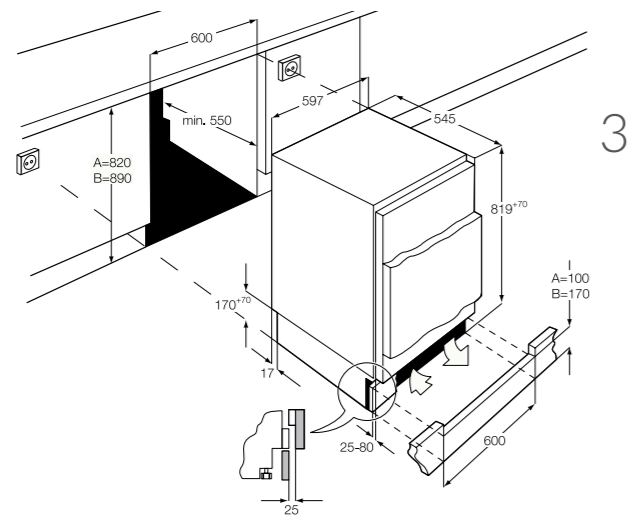
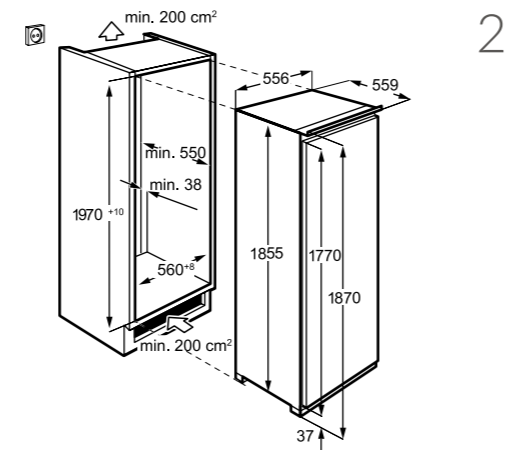
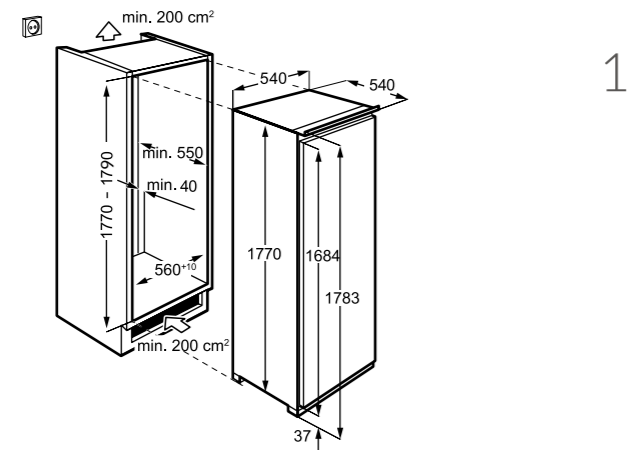
### Gas Cooktops



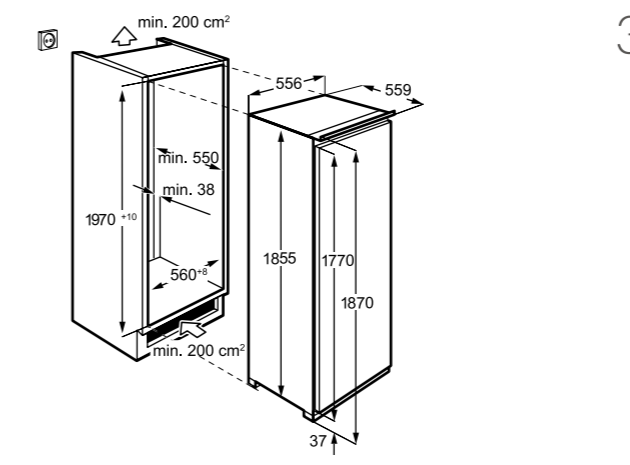
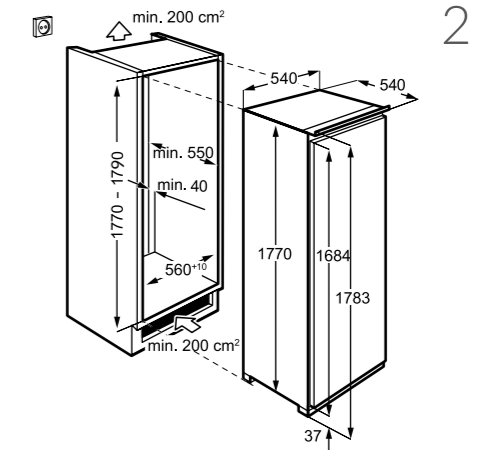
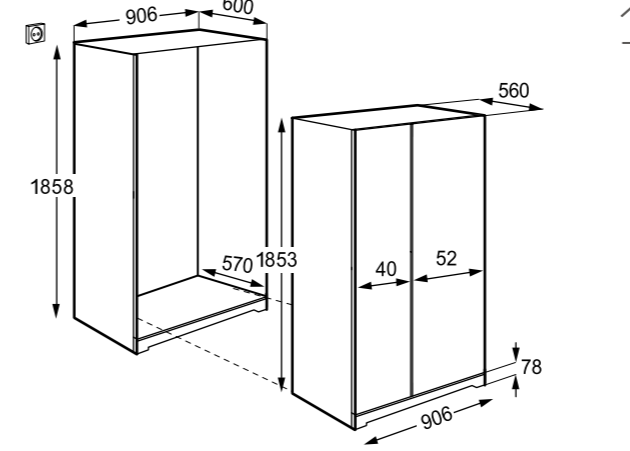
### Electric Cooktops



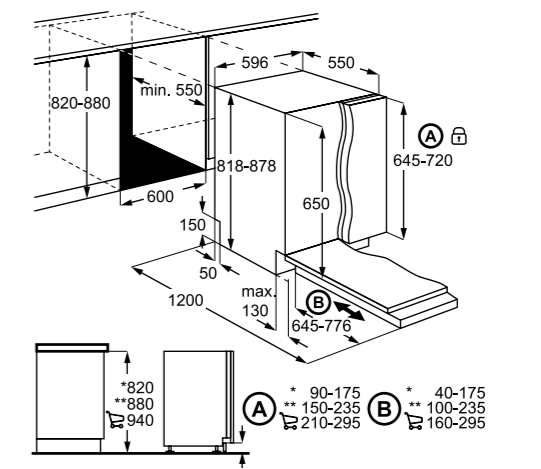
## Fridge & Combi Refrigerator



## Side-By-Side & Freezer



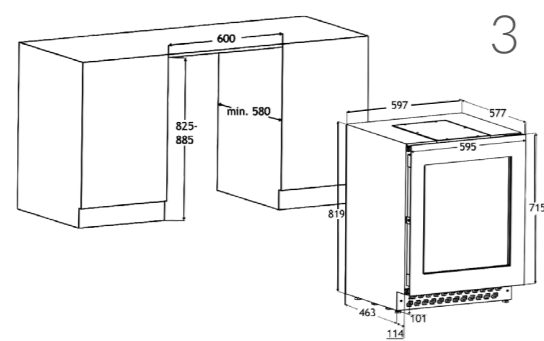
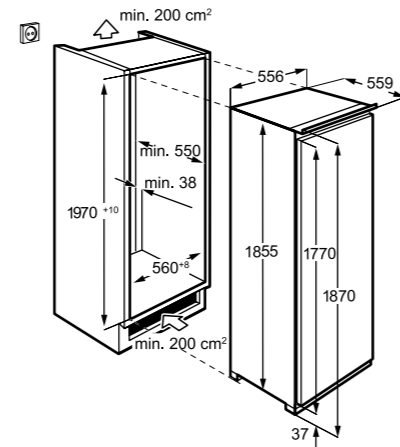
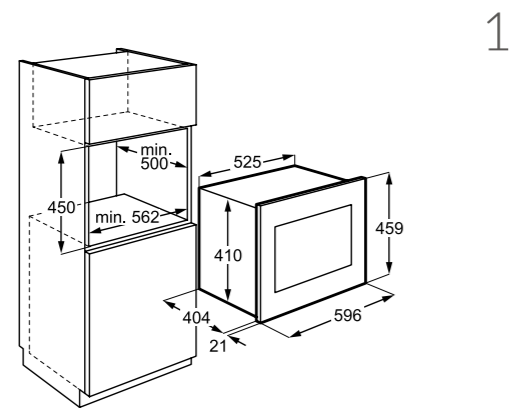
## Dishwasher



A	* 820	** 880	*** 940
B	* 90-175	** 150-235	*** 210-295
	* 40-175	** 100-235	*** 160-295



## Wine Coolers



## Washing Machine

